



SOUTH LAKE COUNTY FIRE PROTECTION DISTRICT

South Lake County Volunteer
Firefighters Association
PO Box 1193
Middleton, CA 95461

Address Sign Program Order Form

Address Number: _____

Property Owner or designee's Name: _____

Physical Address: _____

Mailing Address: _____

Phone Number: _____

(no dashes)

Amount: **\$25.00** (uninstalled)

Orders may be mailed to PO Box 1193, Middleton, CA 95461 with check made payable SLCVFA.

Mounting hardware:

Cobb & Middleton: Sign is a 18"x6" (horizontally) reflective address sign that may be mounted on a 5' green metal post.

Hidden Valley Lake: Sign is a 6"x18" (vertically) reflective address sign that may be mounted on 4"x4"x6' wooden post or contact HVLA regarding mounting requirement.

Orders are placed once a month and should arrive between two (2) to three (3) weeks from order date. If the sign order is for the purposes of meeting Public Resources Code 4290 requirement Sections 1274.08 Address for Buildings, 1274.09 Size of Letters, Numbers, and Symbols for Addresses, and 1274.10 Installation, Location and Visibility of Addresses, the sign order must be placed well in advance. A delay in the installation will not be grounds for granting final approval.

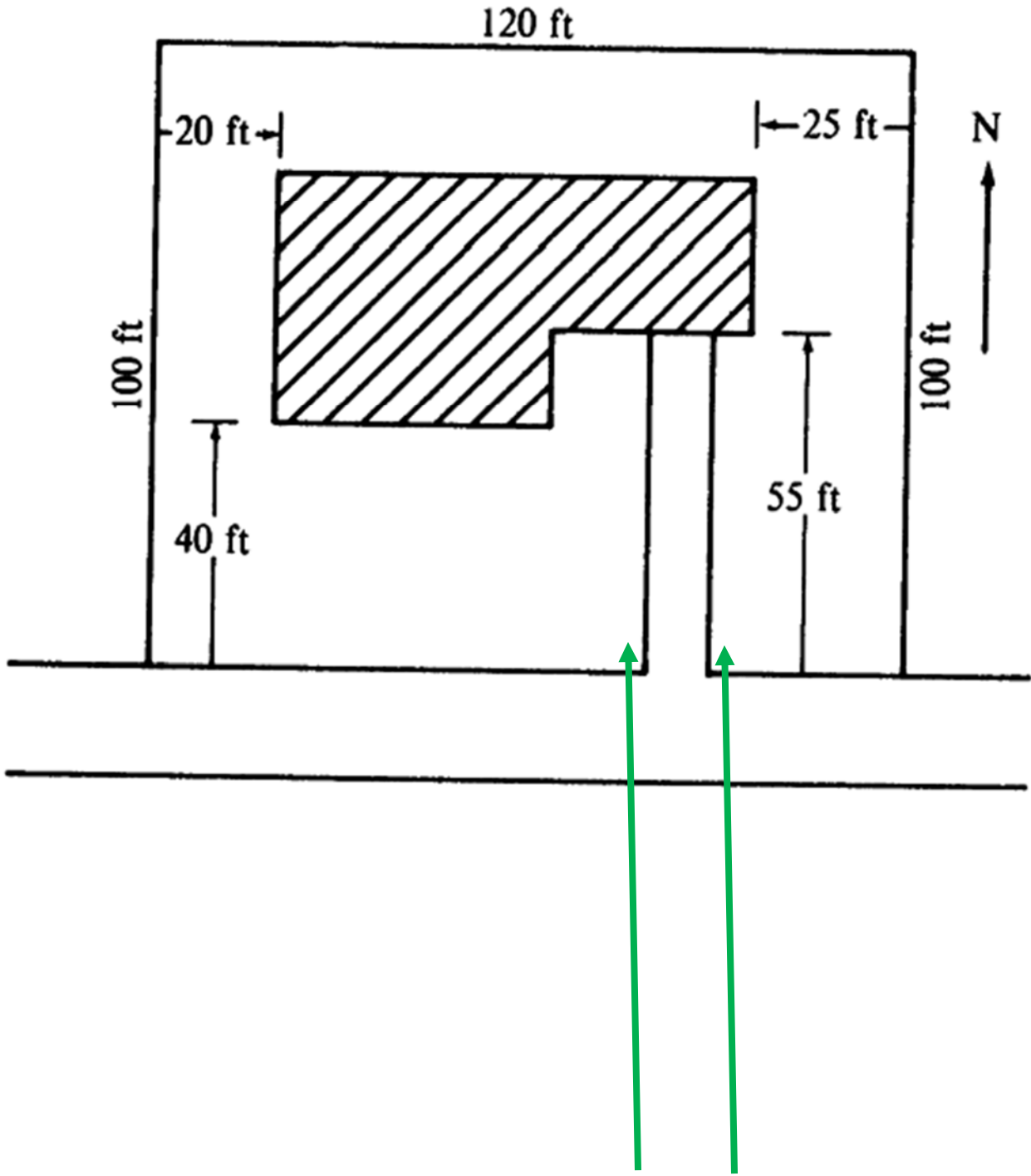
Signs must be installed to the standards of the Public Resources Code 4290 requirements Section 1274.10 Installation, Location and Visibility of Addresses, permanently placed at the driveway entrance and visible from both directions of travel along the road of at least 100 feet. (5' metal post are recommended for installation and can be purchased at most local hardware stores.)

By signing below, it acknowledges your purchase, as well as acknowledging installation requirements indicated above.

Property Owner or designee's signature: _____

Fire District Representative: _____ Receipt Number: _____

For Office Use Only: _____
Date Order Form Rec'd Date Order Placed Date Order Received



For this property, your address sign should be installed on either side of the driveway, whichever is most visible from both directions.

For properties greater than an acre and those with a long driveways, address signs should be installed at the beginning of the driveway (as pictured above) and another address sign should be installed closer to the residence should your driveway exceed 100 ft. Should there be multiple residences off of the same private road, it is requested that all addresses be mounted on one post at the beginning of the roadway and individual address signs posted at the beginning of each individual driveway. Please feel free to contact us should you have any questions regarding installation.